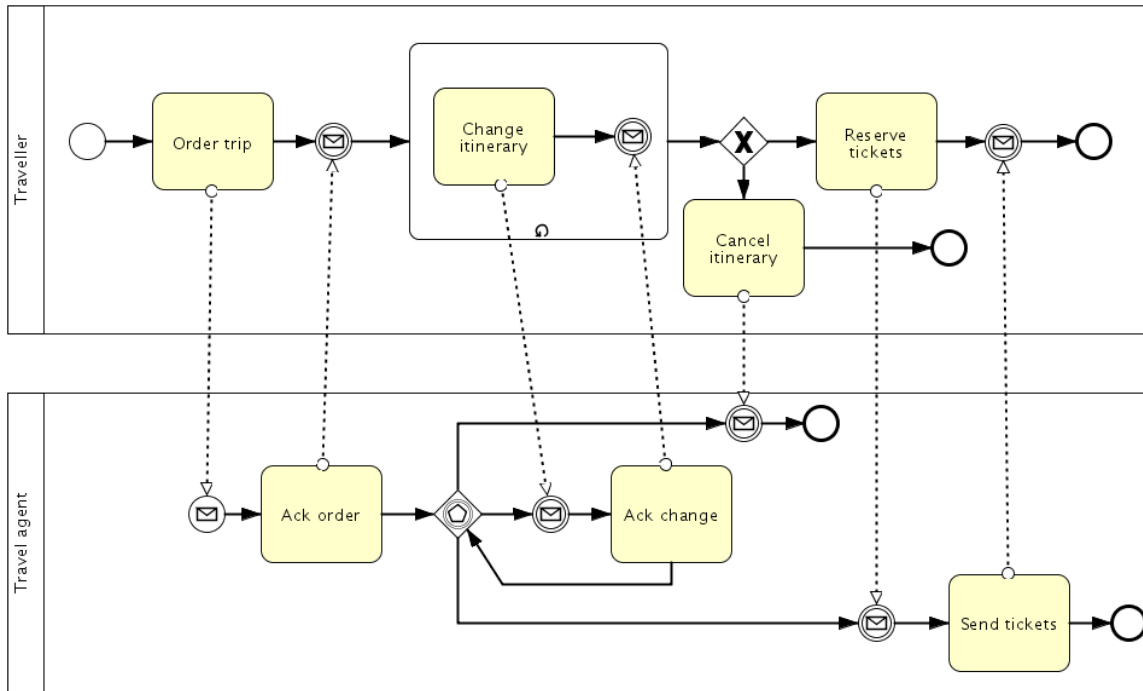


EXERCISE

UNDERSTAND BPMN MODELS

TRAVEL BOOKING

A given model describes necessary steps for travel booking where a traveler interacts with a travel agent



QUESTIONS

1. How often is task “Ack change” executed?
2. How often is task “Reserve tickets” executed?
3. Who decides whether a reservation or cancellation is chosen?
4. What is the semantics of the event-based gateway contained in the lower tickets?
5. Is data flow reflected in this diagram?